

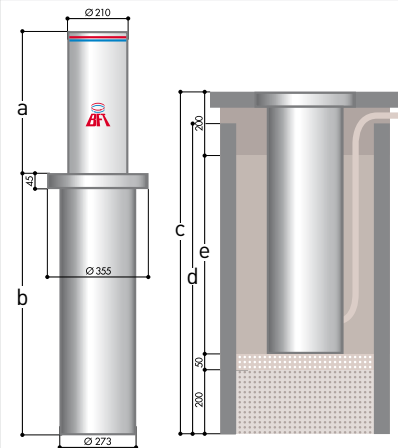


# Phase-In • STOPPY H

Electromechanical operator for rising bollard



## ► Dimensions



mm	STOPPY	STOPPY H
a	500	700
b	915	1175
c	1100	1350
d	1000	1250
e	650	1000

Product reference	Description	Availability
P970045 00002	STOPPY H	<b>1 APRIL 2009</b>
P970045 00003	STOPPY H L	<b>1 APRIL 2009</b>
P970045 00004	STOPPY H LAR	<b>1 APRIL 2009</b>
P970045 00005	STOPPY H LAR INOX	<b>1 APRIL 2009</b>
P970001 00002	STOPPY	AVAILABLE
P970002 00002	STOPPY L	AVAILABLE
P970007 00002	STOPPY LAR	AVAILABLE
P970007 00004	STOPPY LAR INOX	AVAILABLE
P970045 00001	STOPPY H F	<b>1 APRIL 2009</b>
P970001	STOPPY F	AVAILABLE

## ► Plus

### ROD HEIGHT 700 MM

Greater visibility in blocking passage, even for heavy vehicles.

### PERSEO N CONTROL PANEL

It can be used with both families of bollards, it simplifies the installation and allows a better stock management.

### IT OPENS AND CLOSSES IN 9S + SLOW DOWN

Quick movements and shorter wait times are guaranteed.

### 1500 CYCLES PER DAY

Suitable for intensive use and therefore for an application in high traffic areas.

### PROTECTION RATING IP67

The bollard is watertight against immersion, for safe installation in any environment.

### 5 VERSIONS

Complete range for all installation needs.

## ► New range

### Complete range:

- 700 mm rod
- 5 new versions added to the Stoppy bollards line.
- PERSEO N control unit common to the whole range.

### Shock resistant:

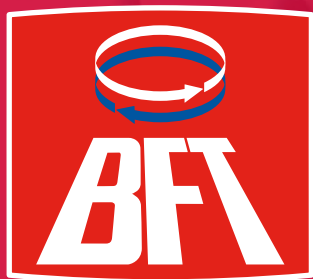
- 8000 J energy absorbed, measured on an impact at 350 mm height.

### Safe:

- Motor-driven brake with optional emergency batteries.
- The bollard remains extended in the event of a power failure.

### Universal:

- Protection rating IP67: watertight at immersion.
- Electric heater in LAR version suitable for very low temperatures.



# Phase-In • STOPPY H

Electromechanical operator for rising bollard

## ▶▶ New accessories

For all STOPPY H and STOPPY bollards



### D113653 00008 - PERSEO N

- Control panel for operators of the STOPPY and STOPPY H families, it can command up to four bollards.
  - Easy use thanks to the simple functions.
  - Safety thanks to dedicated inputs to safety and command devices.
  - Complete with operating logics in a centralised environment.
  - Total control of operation thanks to adjustment of the operating logics.
  - Easy setting using dip switches for all the available functions.
- Suitable for STOPPY and STOPPY H operators.



### P800039 - TL

Post lights

### P800034 - CABLE STOPPY

Power cable for STOPPY.  
50 m reel.

### P800040 - TPF

Totem anchor plate for STOPPY

### \*P800041

STOPPY cable extension to 25 m total length.

### \*P800042

STOPPY cable extension to 50 m total length.

\*The references P800041 and P800042 allow you to receive STOPPY operators with cable already assembled to a total length of 25 or 50 metres. These references must be ordered in addition to that of a bollard. For example, to receive a STOPPY L with a 25 m cable, you will need to order references P970002 00002 and P800041.



### P800037 - TBA

Lower post element



### P800038 - TSU

Upper post element



### NEW PERSEO N CONTROL PANEL:

- Suitable for use with the whole range of BFT bollards (Stopy and Stopy H).
- Jumper to select the Stopy version to be connected.
- Guarantees all the functions of the previous PERSEO.



### POST ASSEMBLY COMPOSED OF:

- Post lower part **TBA** with steel door, for the support and enclosure of control devices.
- Post upper part **TSU** with aluminium panel, for the installation of accessories or the support and enclosure of control devices.
- **TL** lights with dual colour LEDs to signal the bollard's status.



### ASSEMBLY

- **TL** Totem lights
- Lower part of the totem **TBA**.



# Phase-In • STOPPY H

Electromechanical operator for rising bollard

## ▶ Accessories



### D113653 00002 - PERSEO

- Control panel for operators of the STOPPY family, it can command up to four bollards.
  - Easy use thanks to the simple functions.
  - Safety thanks to dedicated inputs to safety and command devices.
  - Complete with operating logics in a centralised environment.
  - Total control of operation thanks to adjustment of the operating logics.
  - Easy setting using dip switches for all the available functions.
- Not suitable for STOPPY H operators.  
**Available while stocks last.**



### P975001 - STOPPY BAT

Back-up battery kit that allows the bollard to stay raised in the event of power failure.



### D113705 - ACOUSTIC DETECTOR

Acoustic detector



### P111001 00003 - RME 2

Two-channel loop detector. 230 Vac.



### D110926 00001 - SPIRA 2X1

Magnetic loop 2x1 m.

